



PLATINUM
TOOLING

heimatec[®]

847-749-0633
platinumtooling.com
made in Germany

ANGLE HEADS by **heimatec**[®]

PLATINUM TOOLING

Platinum Tooling is the exclusive North American importer of standard and custom live tools, angle heads, and multiple spindle tools manufactured by heimatec GmbH. Our experienced staff is dedicated to providing customers the highest quality and most innovative tooling technology possible. Platinum Tooling serves the automotive, aerospace, medical, firearms and energy markets, as well as many other industries in metalworking. We have an extensive network of sales representatives throughout the United States, Canada, and Mexico to service OEMs, Machine Tool Dealers, and Industrial Supply Companies.

In addition to the Heimatec brand, Platinum Tooling is the exclusive North American importer of Tecnicrafts Swiss Collets and Guide Bushings as well as Henninger Spindle Speed Increaseers. We also offer Quick Knurling and Marking Tools by Hommel + Keller plus Rineck Shrink Fit Tool Holders.



HEIMATEC GmbH

Heimatec is an international manufacturing company headquartered in Renchen, Germany. Its 67,000 square foot facility, on 7.5 acres, is home to over 100 employees including office and manufacturing staff.

Heimatec sets the standard for the highest precision and most advanced technology possible in the machine tool accessory market. They are always striving for excellence and are

committed to a philosophy based on constant innovation and attention to detail. Their unparalleled design capabilities allow Heimatec users to enjoy the benefits of the most productive angle heads, live tools, and multiple spindle tools available. Extensive customer service and expert technical support are always available to assist with your most challenging applications.



Designed for Superior Performance

Heimatec angle heads are made from high-tensile strength aluminum. High-precision spindle bearings maintain the highest possible spindle concentricity.

All the gears on these angle heads have inclined teeth made from high-resistance gear steel and have been specially hardened, ground and lapped in sets to provide the smoothest transmission output possible.

- Powerful, accurate, and rigid
- Applications include milling, drilling, and tapping
- Torque rating up to 150 Nm
- Up to 1:4 gear ratio available
- Spindle speeds up to 24,000 rpm
- 360° body rotation
- Interchangeable torque arms
- Compatible with most Automatic Tool Changers



Table of Contents

2–3	Standard Line Overview	16–17	Single Output - Offset Slim Body
4–5	Slim Line Overview	18–19	Dual Output - Standard Duty
6–7	Single Output - Slim Line	20–21	Dual Output - Heavy Duty
8–9	Single Output - Standard Duty	22–23	Adjustable - Standard Duty
10–11	Single Output - Heavy Duty	24–25	Adjustable - Heavy Duty
12–13	Single Output - Heavy Duty Plus	26	Custom & Special Tooling
14–15	Single Output - Offset (External Nut)	27–28	Additional Product Lines

Angle Heads - standard line



Angle Heads: standard

For machining applications without clearance issues



Angle Heads: dual output

For machining applications without clearance issues and 2 directions



Angle Heads: standard offset

For machining applications without clearance issues



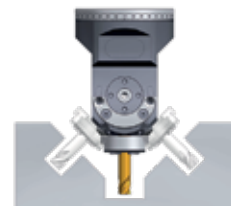
Angle Heads: offset slim

Offset style to maximize the usable tool length plus slim design for machining in restricted spaces



Angle Heads: $\pm 90^\circ$ adjustable

For machining tasks at compound angles



Features and Overview

1. Machine adaption

ANSI B 5.50/ CAT
MAS 403 BT
DIN 69893 - HSK
DIN 69871 A - SK
CAPTO

2. Arrestor ring

Locks the tool drive taper

3. Housing

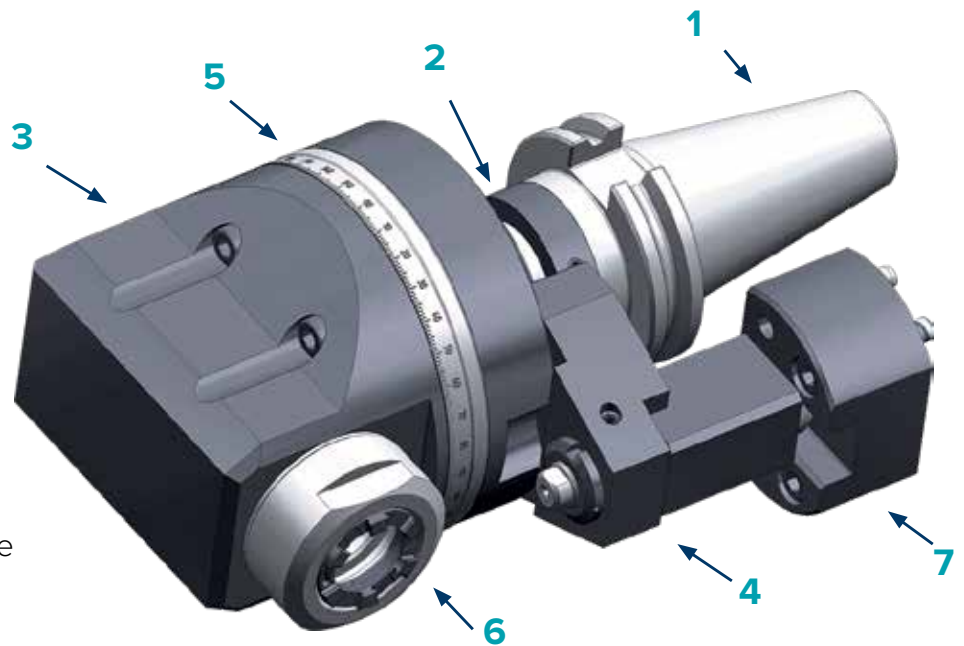
45/90° angle possibilities,
depending on the required use

4. Torque arm

For locking the housing of the
angle head on the machining
spindle to prevent rotation

5. Scale ring

For aligning the working angle



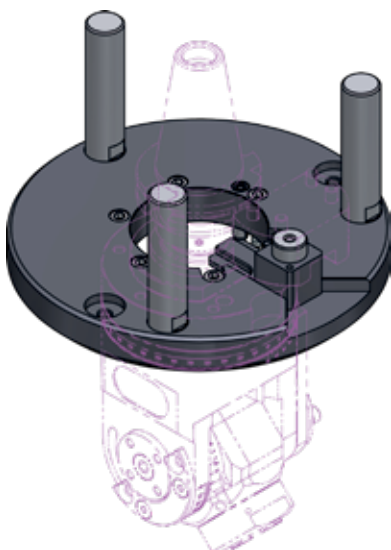
6. Output

The standard output is
ER collets

7. Stop block

For locking and preventing the
rotation of the angle head. Custom
block can be manufactured to
machine specification.

Accessories



Support flange with integrated torque arm

For additional support to
stabilize and reduce the
vibration of the entire system.

The additional support will
be produced to customer's
instruction and the machine
specifications.



Angle Heads - slim line

For special machining applications



Angle Heads MFC-300M / 90° not for use with coolant

min Ø 12 mm ID

Ratio	Max NSK RPM	Torque	NSK Collet	Max Ø
1:1	20,000	.74ft.lbs	K-253	1.6mm



Angle Heads MFC-300S / 90° not for use with coolant

min Ø 16 mm ID

Ratio	Max NSK RPM	Torque	NSK Collet	Max Ø
1:1	20,000	.74ft.lbs	K-252	1.6mm



Angle Heads IC-300 / 90° not for use with coolant

min Ø 25 mm ID

Ratio	Max NSK RPM	Torque	NSK Collet	Max Ø
1:75	15,000	.74ft.lbs	CHC	3mm



Angle Heads KC-300 / 45° not for use with coolant

min Ø 27 mm ID at 45°

Ratio	Max NSK RPM	Torque	NSK Collet	Max Ø
1:75	15,000	.74ft.lbs	CHC	3mm



Angle Heads RA-200 / 90°

min Ø 38 mm ID

Ratio	Max NSK RPM	Torque	NSK Collet	Max Ø
1:66	13,330	2.95ft.lbs	CHS	3mm



Angle Heads RA-100 / 90°

min Ø 51 mm ID

Ratio	Max NSK RPM	Torque	NSK Collet	Max Ø
1:375	7,490	2.95ft.lbs	CH8	3mm



Features and Overview

1. Machine adaption

ANSI B 5.50/ CAT
 MAS 403 BT
 DIN 69893 - HSK
 DIN 69871 A - SK
 CAPTO

2. Arrestor ring

Locks the tool drive taper

3. Stop block

For locking and preventing the rotation of the angle head. Custom block can be manufactured to machine specification.

4. Torque arm

For locking the housing of the angle head on the machining spindle to prevent rotation

5. Scale ring

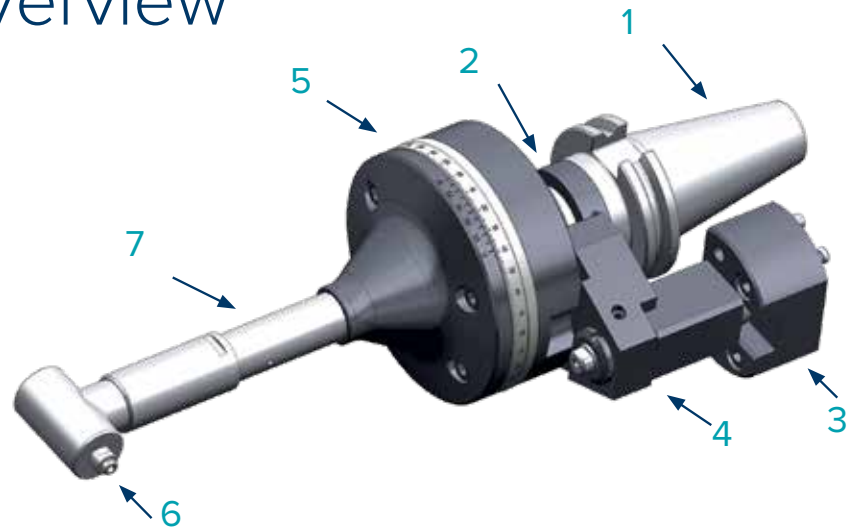
For aligning the working angle

6. Output

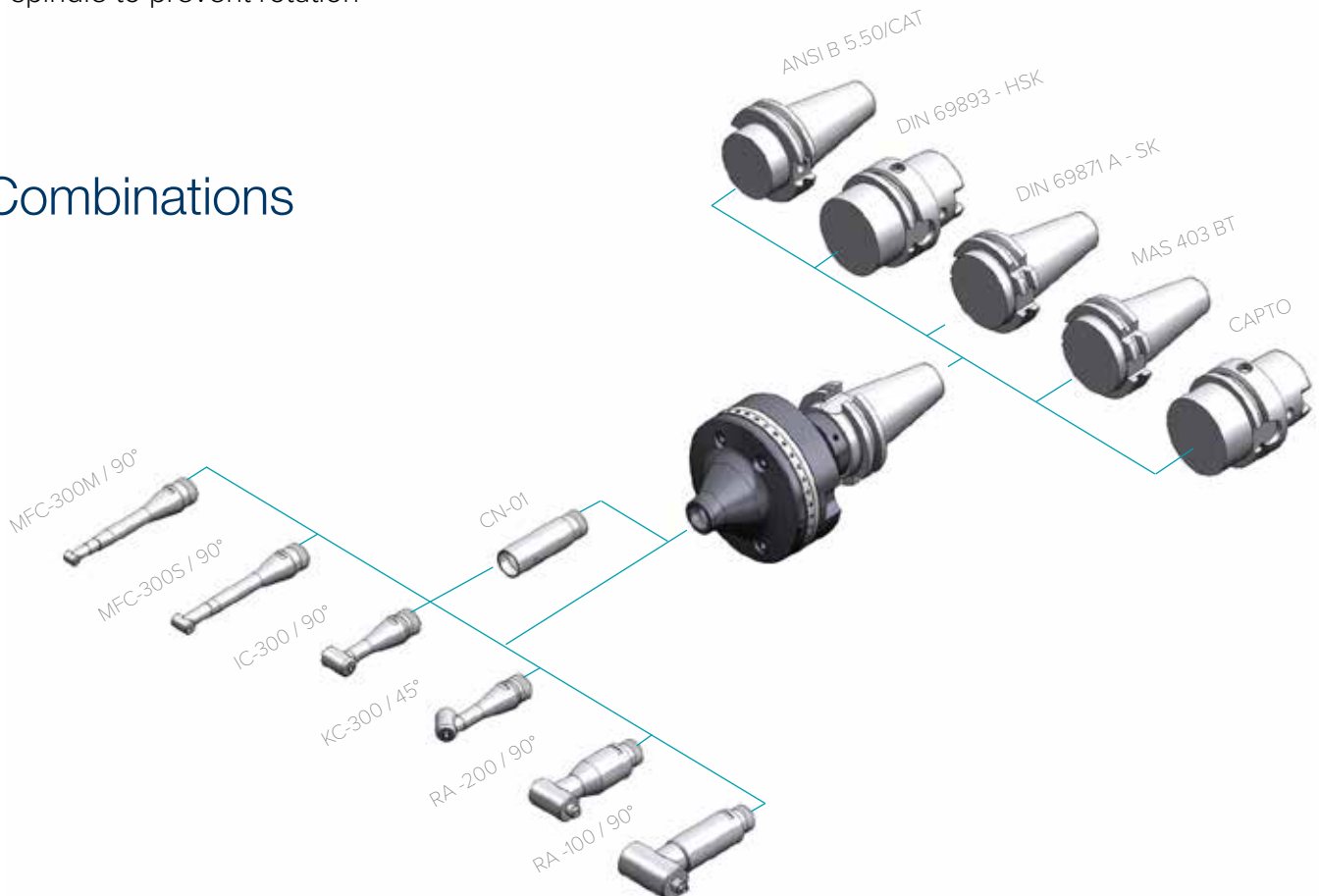
The standard output is collets

7. Adapter / extension

45/90° angle possibilities, depending on the required use



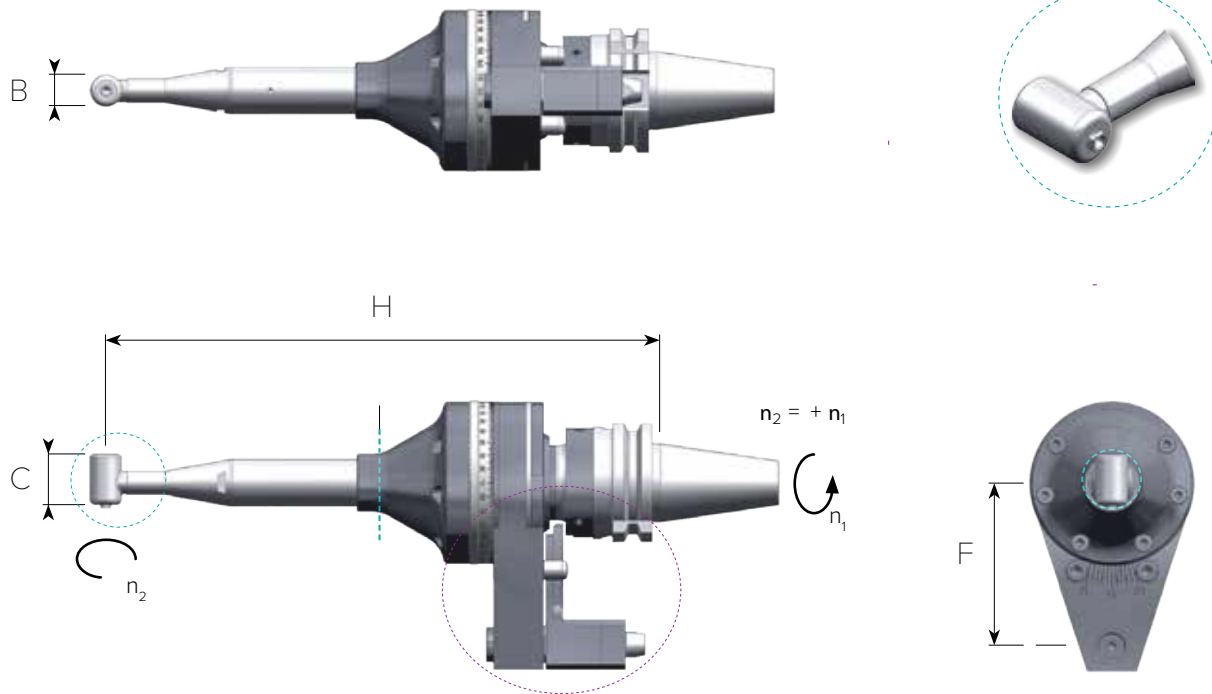
Combinations



Right Angle Heads with single output - **Slim line**



- Slim Design
- Designed for machining in limited spaces
- Minimum \varnothing 12 mm ID
- Wide range of outputs available
- Available with fixed 45° angle
- Modular style tool
- Extensions available for longer reach



Right Angle Heads with single output - **Slim line**

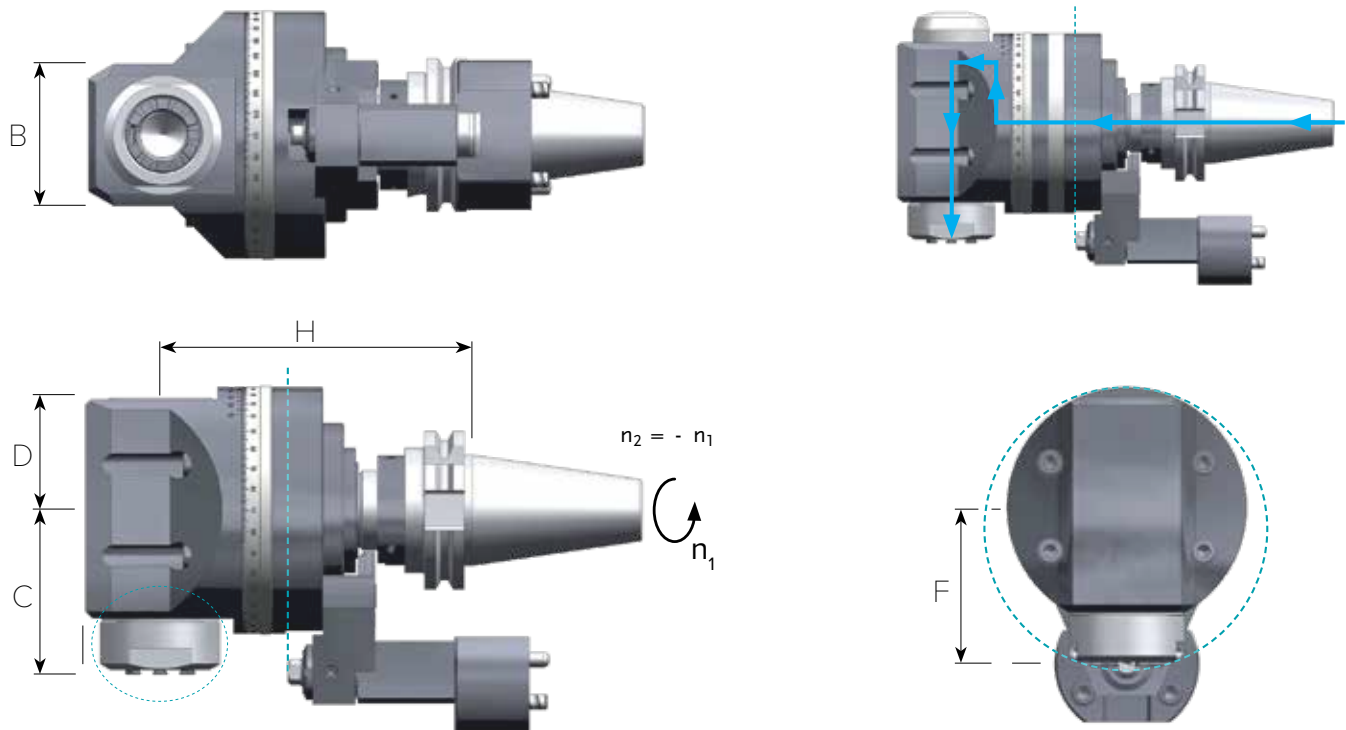
Part No.	Input	Output	RPM	Gear Ratio	lb	H	B	C	F
7 030 41 022	CAT 40	MFC-300M	20000	1:1	10	231.6	6.8	9.5	65
7 030 41 021	CAT 40	MFC-300S	20000	1:1	10	231.75	8.5	13.8	65
7 030 41 020	CAT 40	IC-300	15000	1:1.75	10	190.9	12.8	21.8	65
7 039 41 015	CAT 40	KC-300/45°	15000	1:1.75	10	201.9	12.8	21.7	65
7 030 41 023	CAT 40	RA-200	13330	1:1.66	10	200	17.4	35	65
7 030 41 024	CAT 40	RA-100	7490	1:1.375	10	210	22.8	48	65
7 030 61 022	CAT 50	MFC-300M	20000	1:1	20	281.6	6.8	9.5	110
7 030 61 021	CAT 50	MFC-300S	20000	1:1	20	281.75	8.5	13.8	110
7 030 61 020	CAT 50	IC-300	15000	1:1.75	20	240.9	12.8	21.8	110
7 039 61 004	CAT 50	KC-300/45°	15000	1:1.75	20	251.9	12.8	21.7	110
7 030 61 023	CAT 50	RA-200	13330	1:1.66	20	250	17.4	35	110
7 030 61 024	CAT 50	RA-100	7490	1:1.375	20	260	22.8	48	110

Note: Haas specific stop block & torque arm also available; add "H" to end of part #
 All tools available in long version with extension; contact us for more details
 Drawings shown above are with standard IC-300 tool

Right Angle Heads with single output - **Standard duty**



- Compact Design
- Shortest gauge line
- Standard with u-tec output
- Maximum torque: 60 Nm
- Maximum RPM: 8000
- Gear Ratio: 1:1



Right Angle Heads with single output - **Standard duty**

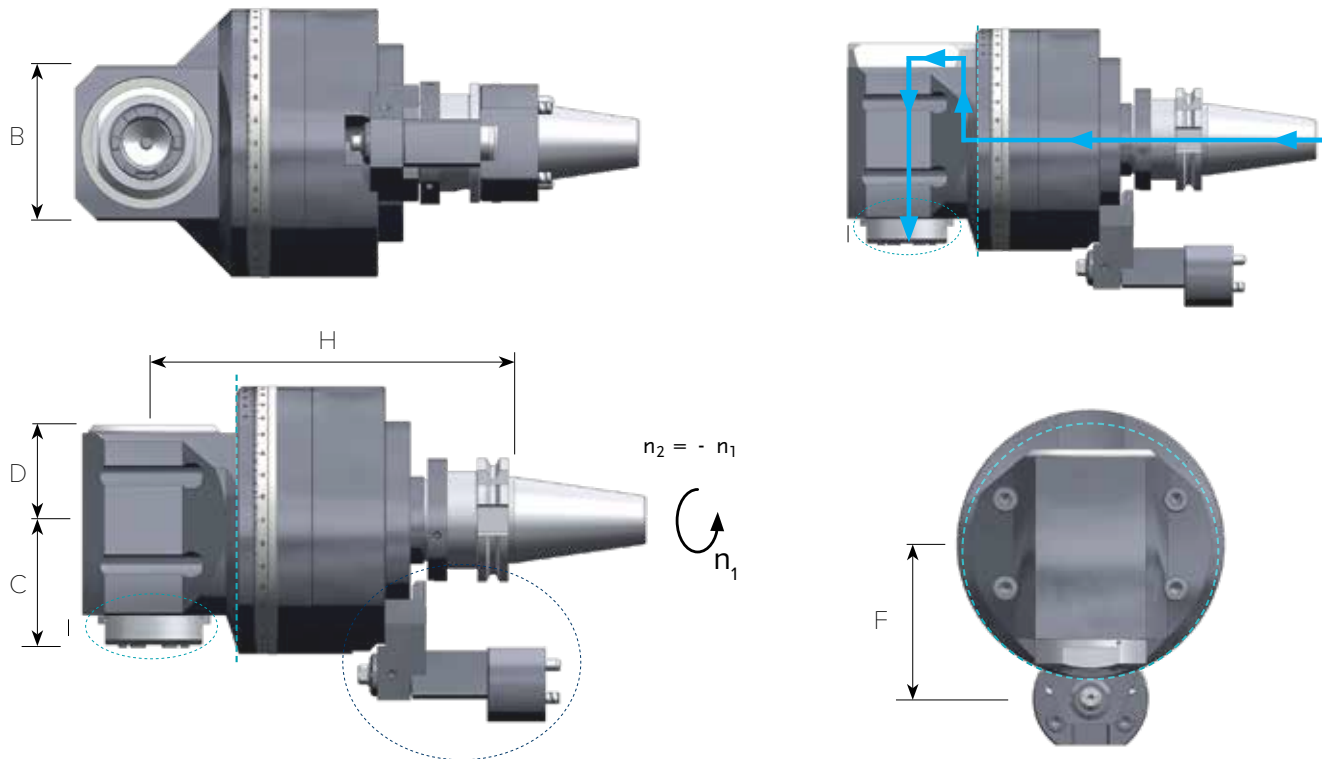
Part No.	Input	Output	RPM	torque	lb	H	B	C	D	F	IC
7 030 45 007	CAT 40	ER 25 UT	8000	25	11.5	125.5	57	65.9	45	65	
7 030 45 013	CAT 40	ER 25 UT	8000	25	11.5	143.5	57	65.9	61	65	70 bar
7 030 45 026*	CAT 40	ER 25 UT	8000	25	11.5	125.5	57	65.9	45	59	
7 030 45 029*	CAT 40	ER 25 UT	8000	25	11.5	143.5	57	65.9	61	59	70 bar
7 030 45 011	BT 40	ER 25 UT	8000	25	11.5	125.5	57	65.9	45	65	
7 030 45 017	BT 40	ER 25 UT	8000	25	11.5	143.5	57	65.9	61	65	70 bar
7 030 45 018*	BT 40	ER 25 UT	8000	25	11.5	125.5	57	65.9	45	59	
7 030 55 002	HSK 63A	ER 25 UT	8000	25	11.5	132.5	57	65.9	45	65	
7 030 55 004	HSK 63A	ER 25 UT	8000	25	11.5	150.5	57	65.9	61	65	70 bar
7 030 66 013	CAT 50	ER 32 UT	8000	60	24	180	80	65.6	49	110	
7 030 66 019	CAT 50	ER 32 UT	8000	60	24	180	80	65.6	49	110	70 bar
7 030 66 035*	CAT 50	ER 32 UT	8000	60	24	180	80	65.6	49	84	
7 030 66 037*	CAT 50	ER 32 UT	8000	60	24	180	80	65.6	49	84	70 bar
7 030 66 016	BT 50	ER 32 UT	8000	60	24	190	80	65.6	49	110	
7 030 66 021	BT 50	ER 32 UT	8000	60	24	190	80	65.6	49	110	70 bar
7 030 76 001	HSK 100A	ER 32 UT	8000	60	24	190	80	65.6	49	110	
7 030 76 003	HSK 100A	ER 32 UT	8000	60	24	190	80	65.6	49	110	70 bar

* Haas specific torque arm and stop block

Right Angle Heads with single output - **Heavy duty**



- Rigid Design
- Larger Capacity
- Standard with u-tec output
- Maximum torque: 60 Nm
- Maximum RPM: 8000
- Gear Ratio: 1:1



Right Angle Heads with single output - **Heavy duty**

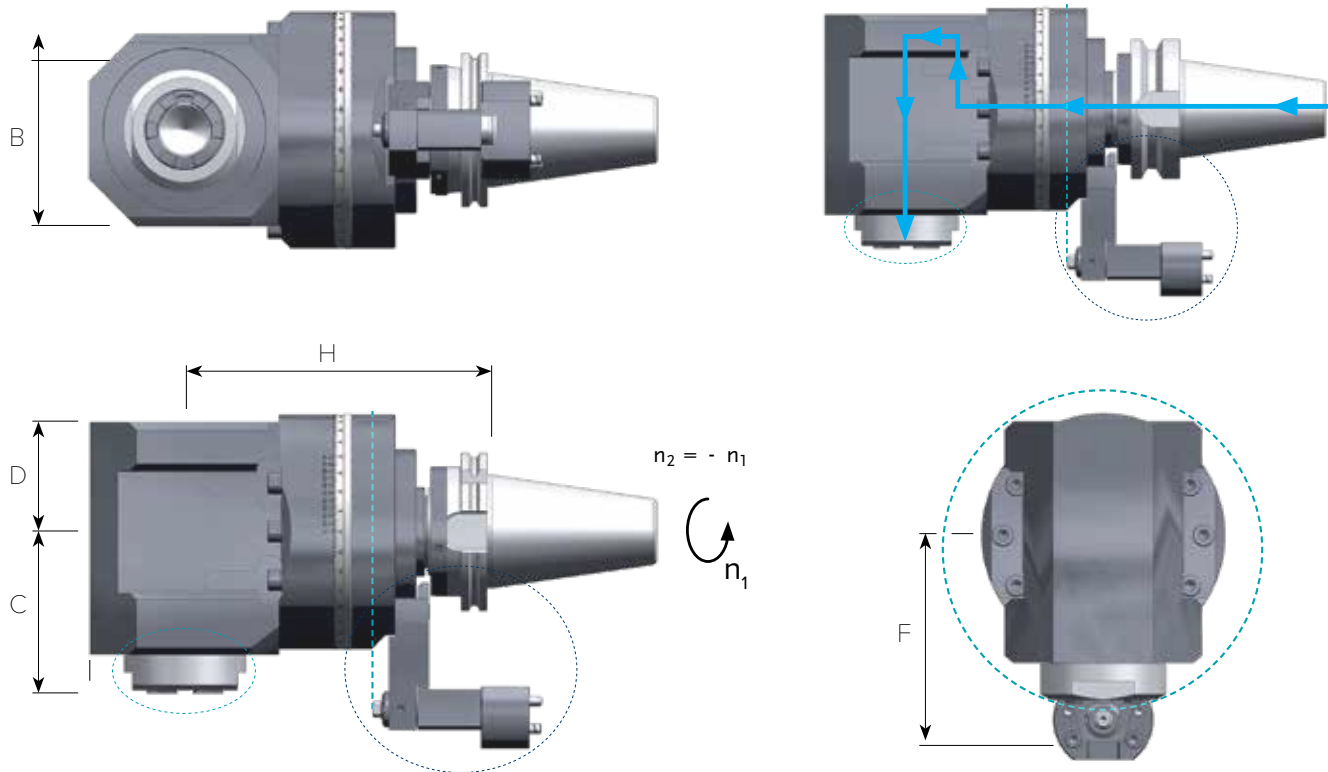
Part No.	Input	Output	RPM	torque	lb	H	B	C	D	F	IC
7 030 46 017	CAT 40	ER 32 UT	8000	60	19	187	80	65.6	49	65	
7 030 46 021	CAT 40	ER 32 UT	8000	60	19	187	80	65.6	60	65	70 bar
7 030 46 037*	CAT 40	ER 32 UT	8000	60	19	187	80	65.6	49	59	
7 030 46 015	BT 40	ER 32 UT	8000	60	19	187	80	65.6	49	65	
7 030 46 025	BT 40	ER 32 UT	8000	60	19	187	80	65.6	60	65	70 bar
7 030 56 006	HSK 63A	ER 32 UT	8000	60	19	187	80	65.6	49	65	
7 030 56 008	HSK 63A	ER 32 UT	8000	60	19	187	80	65.6	60	65	70 bar
7 030 67 038	CAT 50	ER 40 UT	8000	60	26	180	84	102	65	110	
7 030 67 049	CAT 50	ER 40 UT	8000	60	26	180	84	102	69	110	70 bar
7 030 67 047	BT 50	ER 40 UT	8000	60	26	190	84	102	65	110	
7 030 67 053	BT 50	ER 40 UT	8000	60	26	190	84	102	69	110	70 bar
7 030 77 003	HSK 100A	ER 40 UT	8000	60	26	190	84	102	65	110	
7 030 77 005	HSK 100A	ER 40 UT	8000	60	26	190	84	102	69	110	70 bar

* Haas specific torque arm and stop block

Right Angle Heads with single output - **Heavy duty plus**



- Designed for heavy milling
- Optional CAT 40 output
- Maximum torque: 120 Nm
- Maximum RPM: 6000
- Gear Ratio: 1:1



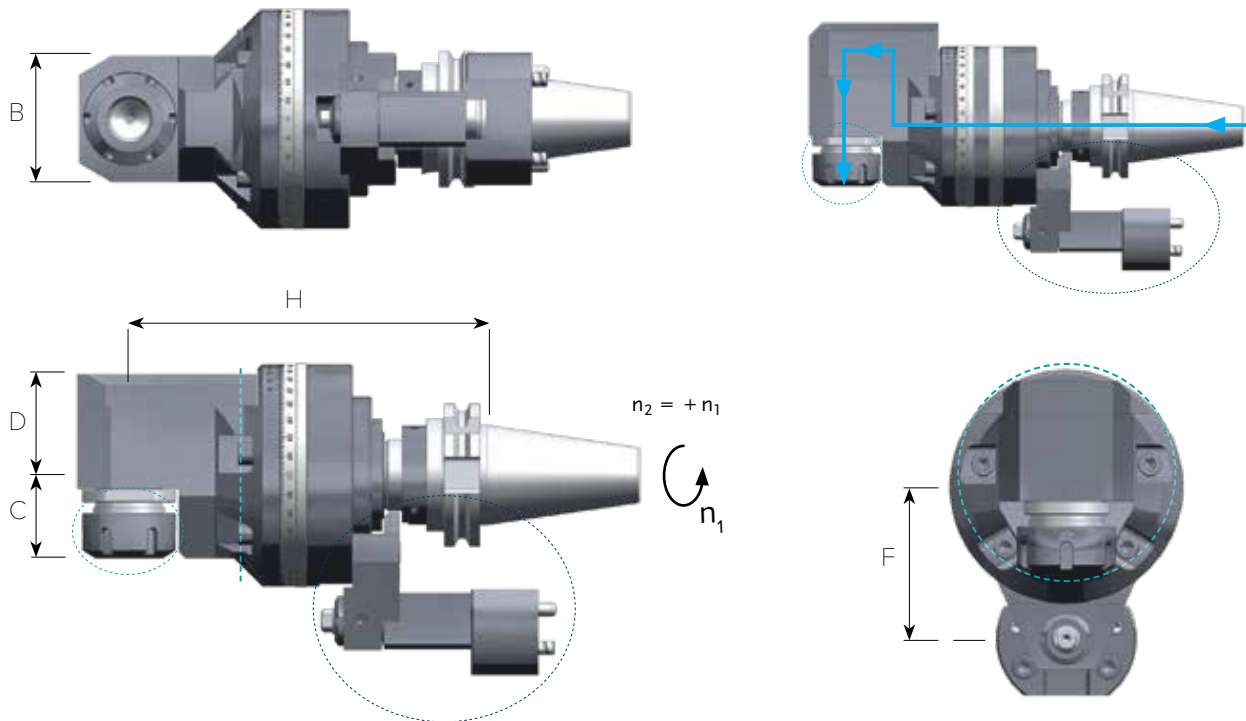
Right Angle Heads with single output - **Heavy duty plus**

Part No.	Input	Output	RPM	torque	lb	H	B	C	D	F	IC
7 030 67 056	CAT 50	ER 40 UT	6000	120	39	190	118	91	72	110	
7 030 67 060	CAT 50	ER 40 UT	6000	120	39	220	118	91	80	110	70 bar
7 030 67 058	BT 50	ER 40 UT	6000	120	39	200	118	91	72	110	
7 030 67 064	BT 50	ER 40 UT	6000	120	39	230	118	91	80	110	70 bar
7 030 77 007	HSK 100A	ER 40 UT	6000	120	39	200	118	91	72	110	
7 030 77 009	HSK 100A	ER 40 UT	6000	120	39	230	118	91	80	110	70 bar
7 030 67 091	CAT 50	CAT 40	6000	120	36	190	118	88	73	110	
7 030 67 068	BT 50	CAT 40	6000	120	36	200	118	88	73	110	
7 030 77 011	HSK 100A	CAT 40	6000	120	36	200	118	88	73	110	

Right Angle Heads with single output - **Offset (external nut)**



- Lightweight
- Easy to tool change
- External nut style
- Maximum torque: 50 Nm
- Maximum RPM: 8000
- Gear Ratio: 1:1



Right Angle Heads with single output - **Offset (external nut)**

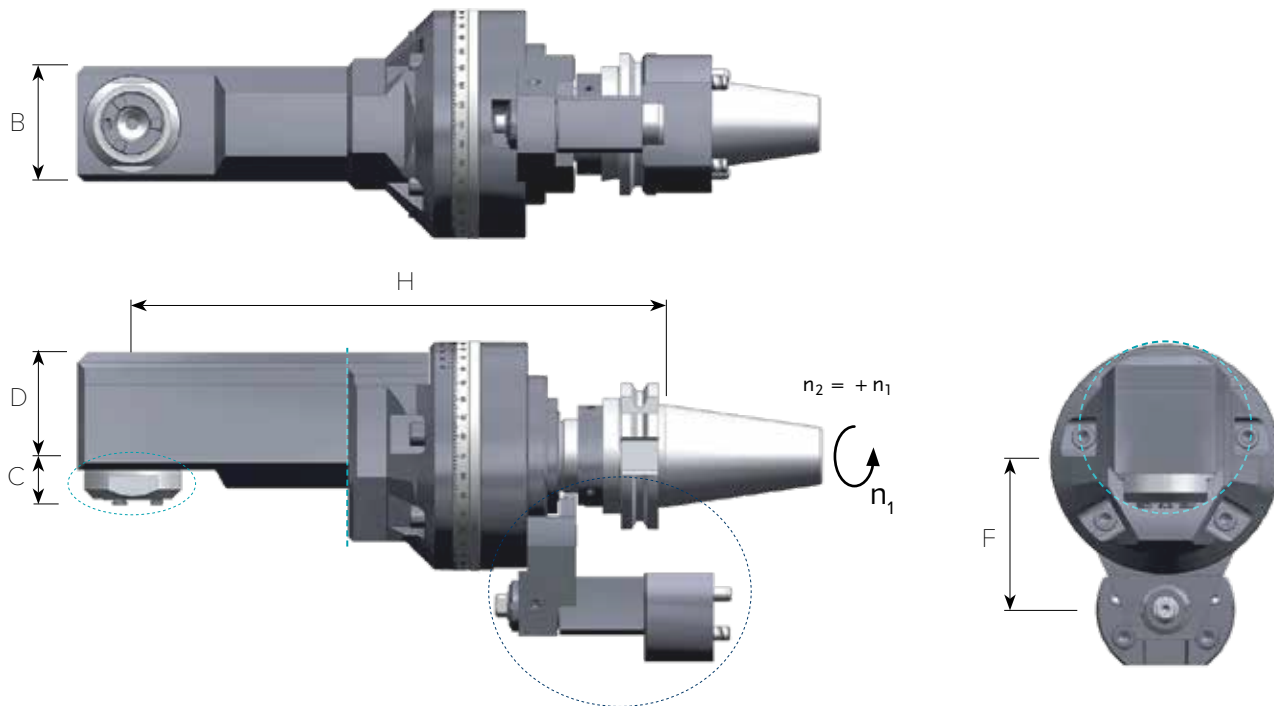
Part No.	Input	Output	RPM	torque	lb	H	B	C	D	F	IC
7 033 45 011	CAT 40	ER 25	8000	25	11	160	57	37	45	65	
7 033 45 005	CAT 40	ER 25	8000	25	11	178	57	37	64	65	70 bar
7 033 45 019*	CAT 40	ER 25	8000	25	11	160	57	37	45	59	
7 033 45 032*	CAT 40	ER 25	8000	25	11	178	57	37	64	59	70 bar
7 033 66 017	CAT 50	ER 32	6000	50	28	230	80	38	62	110	
7 033 66 023	CAT 50	ER 32	6000	50	28	230	80	38	71	110	70 bar
7 033 66 036	CAT 50	ER 32	6000	50	28	230	80	38	62	84	
7 033 66 035	CAT 50	ER 32	6000	50	28	230	80	38	71	84	70 bar

* Haas specific torque arm and stop block

Right Angle Heads with single output - **Offset slim body**



- Designed for restricted spaces
- Narrow Design
- Standard with u-tec output
- Maximum torque: 50 Nm
- Maximum RPM: 8000
- Gear Ratio: 1:1



Right Angle Heads with single output - **Offset slim body**

Part No.	Input	Output	RPM	torque	lb	H	B	C	D	F	IC
7 033 23 004***	BT 30	ER 11	8000	6	4.5	130	35	16.7	32.3	65	
7 033 23 010***	BT 30	ER 11	8000	6	4.5	142	35	16.7	50.5	65	70 bar
7 033 23 005**	BT 30	ER 11	8000	6	4.5	130	35	16.7	32.3	65	
7 033 23 011**	BT 30	ER 11	8000	6	4.5	142	35	16.7	50.5	65	70 bar
7 033 43 011	CAT 40	ER 11	8000	10	10.5	205.5	38	9.5	37.5	65	
7 033 44 014	CAT 40	ER 20 UT	8000	25	12	232	50	21	45	65	
7 033 44 022*	CAT 40	ER 20 UT	8000	25	12	232	50	21	45	59	
7 033 44 018	BT 40	ER 20 UT	8000	25	12	232	50	21	45	65	
7 033 54 002	HSK 63A	ER 20 UT	8000	25	12	239	50	21	45	65	
7 033 65 002	CAT 50	ER 25 UT	8000	40	27	307	58	9.9	62	110	
7 033 66 040	CAT 50	ER 32 UT	8000	50	30	330	72	11	62	110	
7 033 65 006	BT 50	ER 25 UT	8000	40	27	317	58	9.9	62	110	
7 033 75 001	HSK 100A	ER 25 UT	8000	40	27	317	58	9.9	62	110	

* Haas specific torque arm and stop block

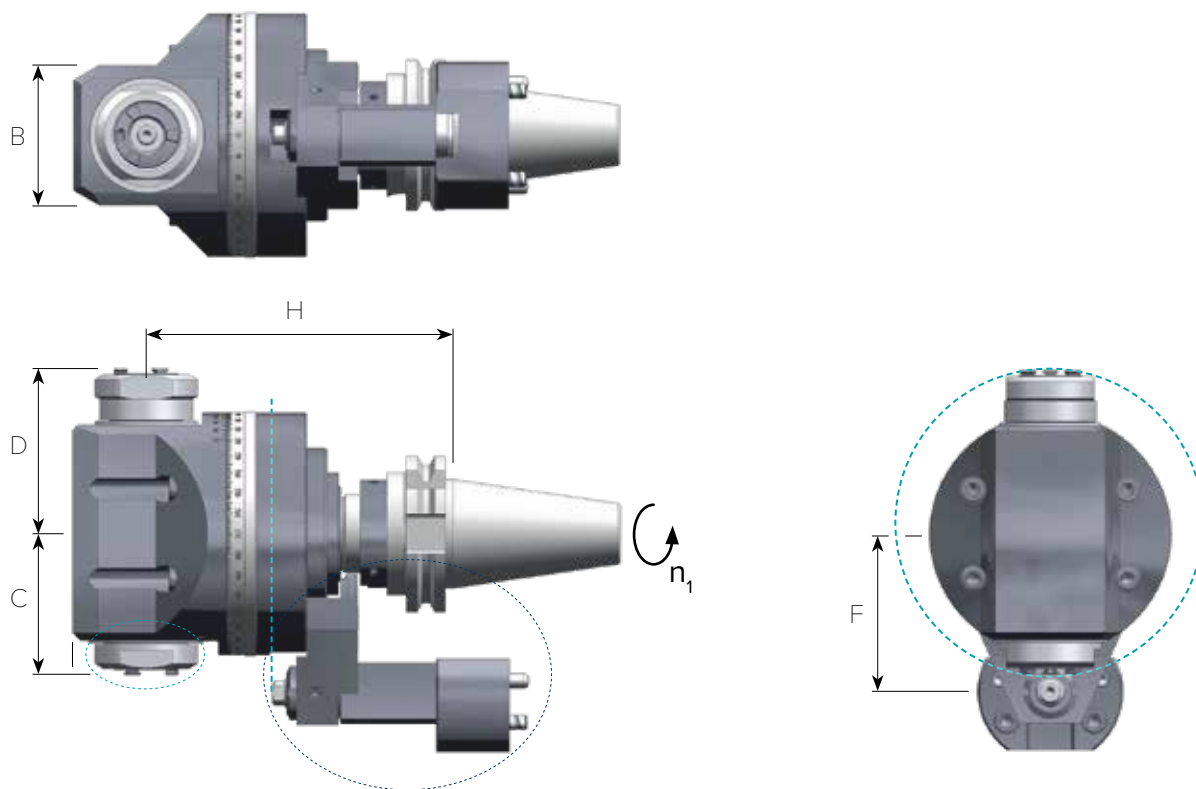
** RoboDrill specific torque arm and stop block

*** Stop block not included

Right Angle Heads with dual output - **Standard duty**



- Performs two machining operations
- Eliminates the need for two tools
- Compact Design
- Shortest gauge line
- Standard with u-tec output
- Maximum torque: 60 Nm
- Maximum RPM: 8000
- Gear Ratio: 1:1



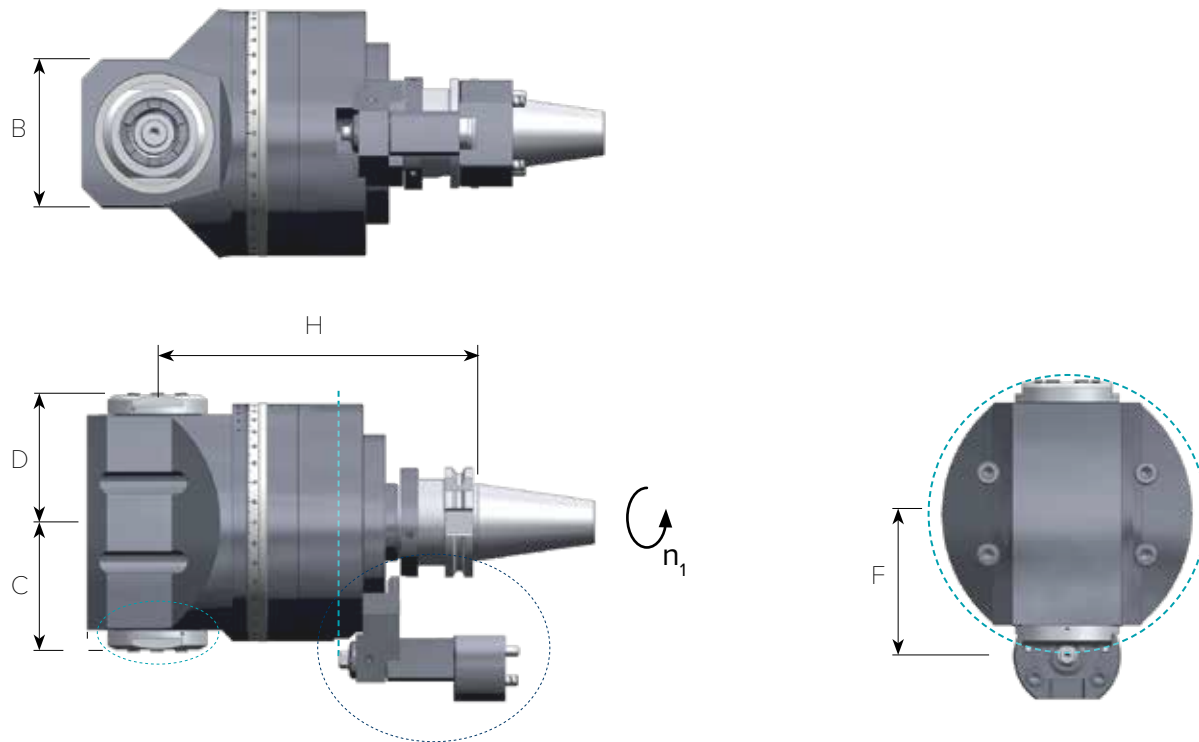
Right Angle Heads with dual output - **Standard duty**

Part No.	Input	Output	RPM	torque	lb	H	B	C	D	F	IC
7 039 44 054	CAT 40	ER 20 UT	8000	25	15	125.5	57	57.5	67.5	65	
7 039 44 052	BT 40	ER 20 UT	8000	25	15	125.5	57	57.5	67.5	65	
7 039 54 015	HSK 63A	ER 20 UT	8000	25	15	132.5	57	57.5	67.5	65	
7 039 66 081	CAT 50	ER 32 UT	6000	60	29.5	180	84	75.1	75.1	110	
7 039 66 079	BT 50	ER 32 UT	6000	60	29.5	190	84	75.1	75.1	110	
7 039 76 010	HSK 100A	ER 32 UT	6000	60	29.5	190	84	75.1	75.1	110	

Right Angle Heads with dual output - **Heavy duty**



- Performs two machining operations
- Eliminates the need for two tools
- Rigid Design
- Larger capacity
- Standard with u-tec output
- Maximum torque: 60 Nm
- Maximum RPM: 8000
- Gear Ratio: 1:1



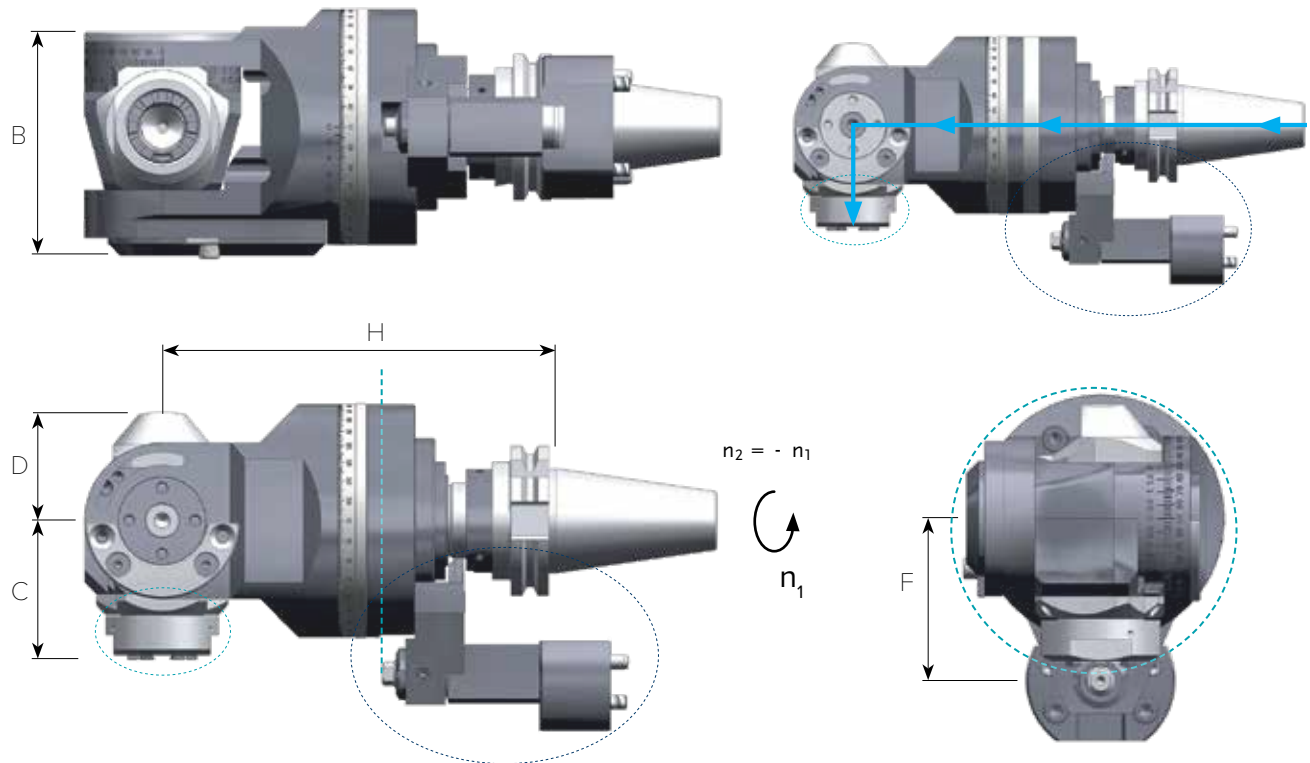
Right Angle Heads with dual output - **Heavy duty**

Part No.	Input	Output	RPM	torque	lb	H	B	C	D	F	IC
7 039 46 053	CAT 40	ER 32 UT	8000	60	22	187	84	75.1	75.1	65	
7 039 46 051	BT 40	ER 32 UT	8000	60	22	187	84	75.1	75.1	65	
7 039 56 014	HSK 63A	ER 32 UT	8000	60	22	187	84	75.1	75.1	65	
7 039 67 058	CAT 50	ER 40 UT	6000	60	31.5	180	84	92.1	92.1	110	
7 039 67 062	BT 50	ER 40 UT	6000	60	31.5	190	84	92.1	92.1	110	
7 039 77 010	HSK 100A	ER 40 UT	6000	60	31.5	190	84	92.1	92.1	110	

Universal Angle Heads +/- 90° adjustable - **Standard duty**



- Ideal for machining at compound angles
- Can be tool changed on most machines
- Standard with u-tec output
- Maximum torque: 25 Nm
- Maximum RPM: 8000
- Gear Ratio: 1:1



Universal Angle Heads +/- 90° adjustable - **Standard duty**

Part No.	Input	Output	RPM	torque	lb	H	B	C	D	F	IC
7 043 23 003**	BT 30	ER 11	8000	5	14	153	59	37.7	26.5	65	
7 043 23 005**	BT 30	ER 11	8000	5	14	165	59	37.7	44	65	70 bar
7 040 44 010*	CAT 40	ER 16 UT	8000	25	11.9	167.5	96	37	34	59	
7 040 45 016	CAT 40	ER 25 UT	8000	25	14	167.5	94	58.9	46	65	
7 040 45 018	CAT 40	ER 25 UT	8000	25	14	185.5	94	58.9	46	65	70 bar
7 040 45 011*	CAT 40	ER 25 UT	8000	25	14	167.5	94	58.9	46	59	
7 040 46 028*	CAT 40	ER 25 UT	8000	25	14	185.5	94	58.9	46	59	70 bar
7 040 45 006	BT 40	ER 25 UT	8000	25	14	167.5	94	58.9	46	65	
7 040 45 014	BT 40	ER 25 UT	8000	25	14	185.5	94	58.9	46	65	70 bar
7 040 55 000	HSK 63A	ER 25 UT	8000	25	14	174.5	94	58.9	46	65	
7 040 55 001	HSK 63A	ER 25 UT	8000	25	14	192.5	94	58.9	46	65	70 bar
7 040 65 005	CAT 50	ER 25 UT	6000	25	34	253	94	58.9	46	110	
7 040 65 018	CAT 50	ER 25 UT	6000	25	34	253	94	58.9	46	110	70 bar
7 040 65 009	BT 50	ER 25 UT	6000	25	34	263	94	58.9	46	110	
7 040 65 002	BT 50	ER 25 UT	6000	25	34	263	94	58.9	46	110	70 bar
7 040 75 001	HSK 100A	ER 25 UT	6000	25	34	263	94	58.9	46	110	
7 040 75 006	HSK 100A	ER 25 UT	6000	25	34	263	94	58.9	46	110	70 bar

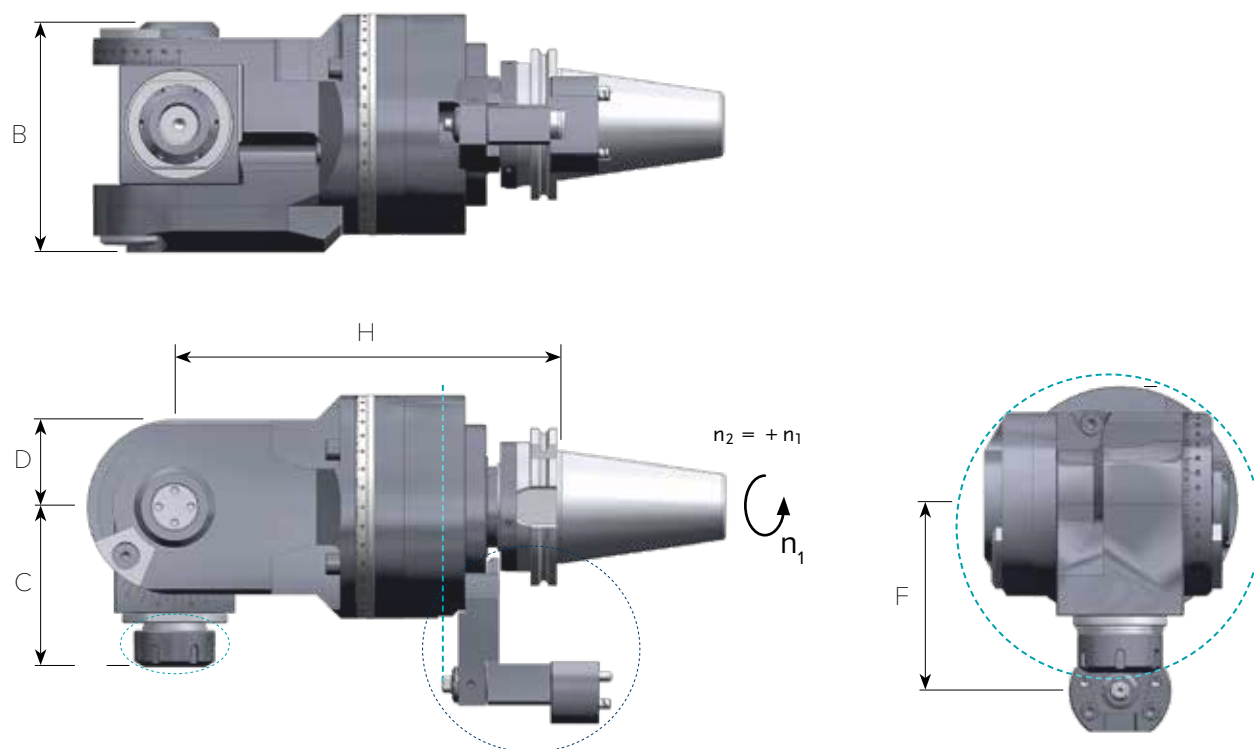
* Haas specific torque arm and stop block

** RoboDrill specific torque arm and stop block

Universal Angle Heads +/- 90° adjustable - **Heavy duty**



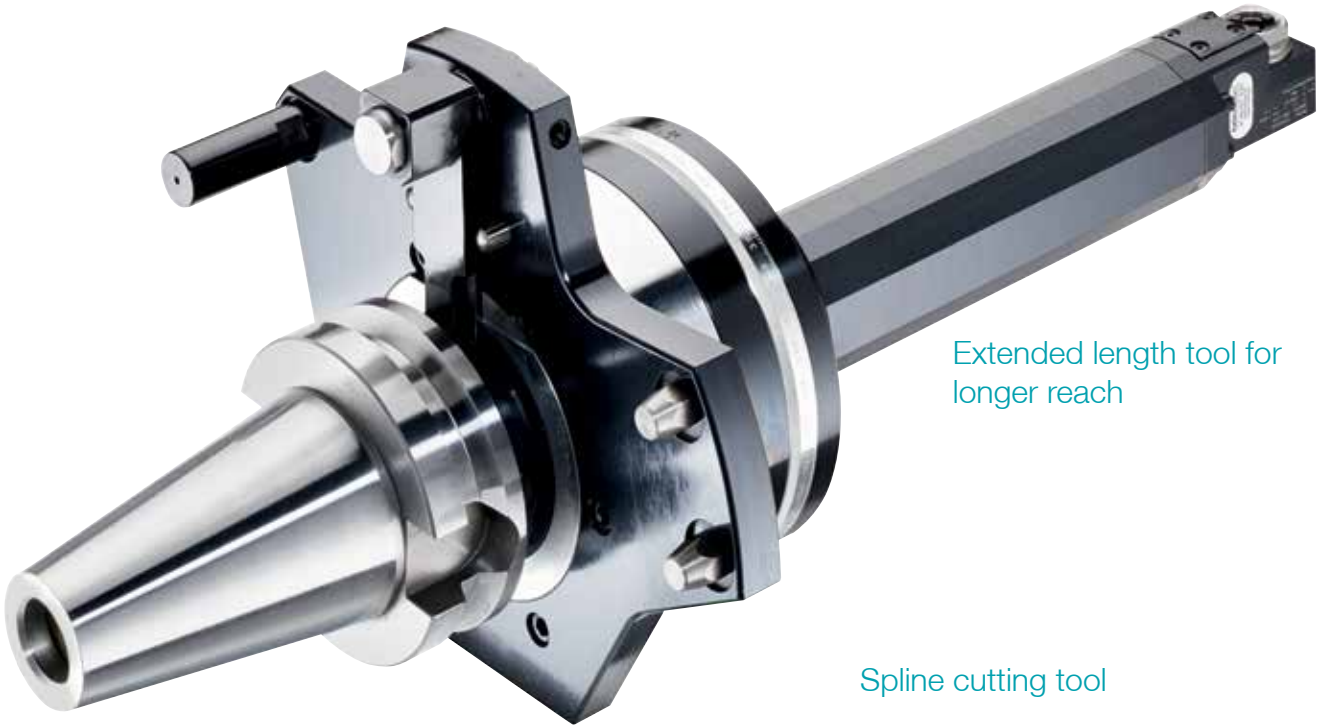
- Ideal for machining at compound angles
- Extremely rigid design
- Larger capacity
- External nut style
- Maximum torque: 50 Nm
- Maximum RPM: 6000
- Gear Ratio: 1:1



Universal Angle Heads +/- 90° adjustable - **Heavy duty**

Part No.	Input	Output	RPM	torque	lb	H	B	C	D	F	IC
7 040 66 006	CAT 50	ER 32	6000	50	37	240	140	99	54	110	
7 040 66 010	BT 50	ER 32	6000	50	37	250	140	99	54	110	
7 040 76 001	HSK 100A	ER 32	6000	50	37	250	140	99	54	110	

Solving the toughest application challenges with **custom designs** and **special tooling**



Extended length tool for longer reach

Spline cutting tool



Multiple Spindle drill head



Heimatec offers the widest range of Live Tools for the most popular machines in the industry.

- Citizen
- DMG Mori
- Doosan
- Emag
- Emco
- Eurotech
- Feeler
- Ganesh
- Haas
- Hardinge
- Hurco
- Hwacheon
- Hyundai
- Mazak
- Miyano
- Murata
- Nakamura
- Okuma
- SMEC
- Spinner
- Takisawa
- Tsugami
- Victor Fortune
- Yama Seiki



Standard Axial (Straight) Tool



Standard Radial (90°) Tool



Universal Adjustable Angle Tool
(High Torque)



Standard Axial Twin Spindle Tool

Henninger

we create precision

Achieve maximum productivity with machining center spindle speed increasers.

Available in various styles, outputs, and speeds to match your application requirements.

Geared Speeders

Up to 50,000 rpm max
Internal coolant capabilities
For holding tools up to 1"

Air Speeders

Up to 80,000 rpm max continuously
Air supply central or lateral
Designed for holding small tools up to .275"



High Frequency Motor Speeders

Up to 80,000 rpm max
Cooling system to maintain constant temperature control
Permanent grease lubrication for a quiet vibration-free operation



rineck
• Tool Technology

Shrink Fit Tool Holders

- Produced for high accuracy with runout of 3 microns or less
- Clamping ranges from \varnothing 3 to \varnothing 32 mm
- Available in metric and inch sizes
- Offered in a wide variety of tapers including CAT, HSK, BT, SK, PSC, and Straight Shank Extensions
- Dual contact available



tecnicrafts[®]

for **SWISS TYPE
CNC LATHES**

Carbide Lined Guide Bushings

Profiles available in round, hex, square, or custom
Max Land Extended Carbide options available up to 75 mm
Special options: Ultra Precision, Extended Nose, U-line

Bar Feeder Collets

Available with external & internal threads
Pin type style also available
Designed to achieve uniform tension

Steel Collets

Available for both main & sub spindle
Profiles available in round, hex, square, or custom
Smooth or grooved bore
Special options: Ultra Precision, Extended Nose, V-line

ER Collet Chucks

Single and double ended styles available
Run out within .005 mm max
Shaft adheres to h6 standards
Produced for high accuracy and long tool life



QUICK Knurling Tools from Hommel + Keller

The QUICK product line offers innovative solutions for diverse knurling applications. For both form and cut knurling tools, QUICK adheres to the highest quality standards and can master the most difficult tasks with ease. Knurling tools are available for use on a wide range of workpiece diameters including small tools for Swiss type lathes from \varnothing 1.5 mm.



Visit us at www.platinumtooling.com